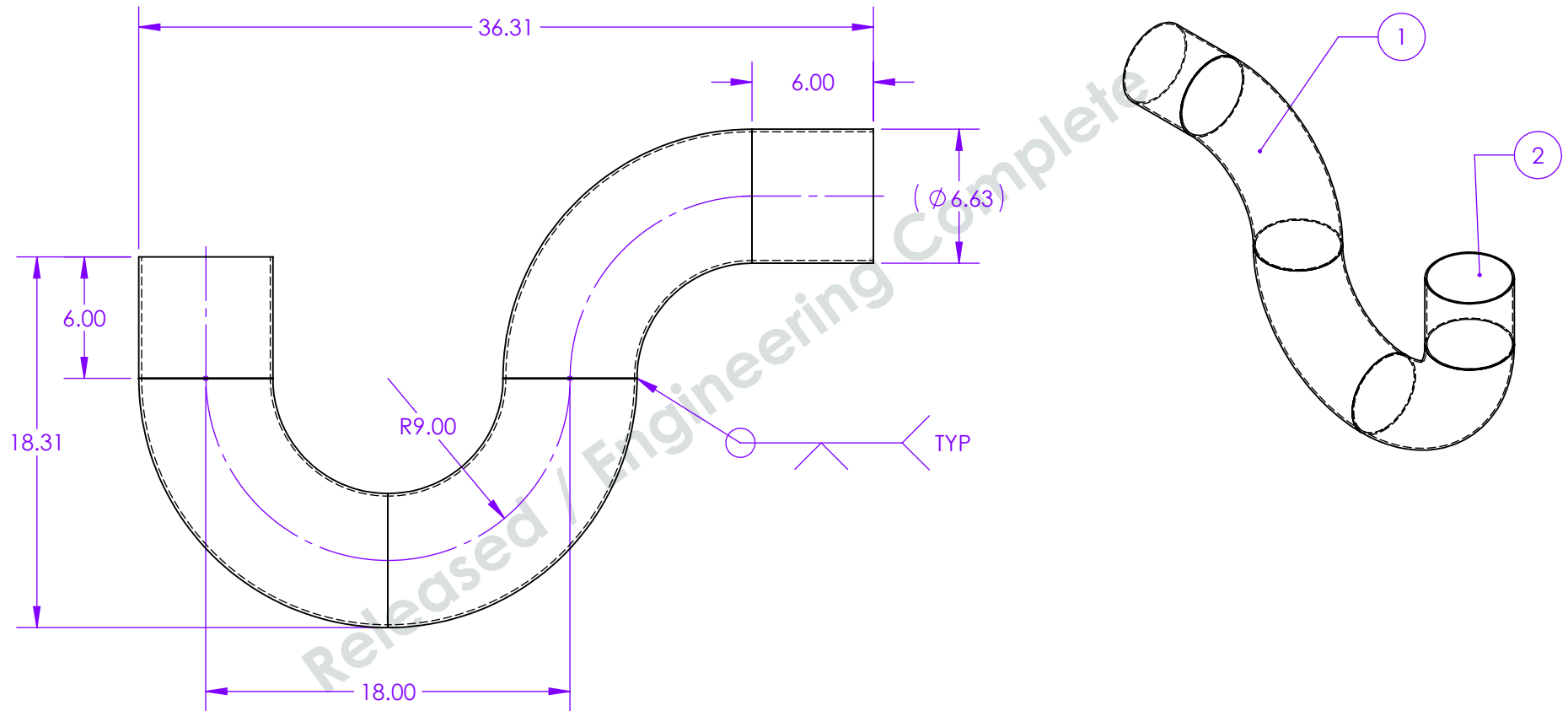


ITEM	QTY.	PART NUMBER	MATERIAL	ASSEMBLY MATERIAL	MATERIAL THICKNESS	DESCRIPTION	CD PRODUCT NUMBER
1	3	1008408	304			6" SCH10 90* ELBOW T304	EL90-SCH106T4
2	2	1006001	304			PIPE 6 INCH	FC-OTLT-61X6



- NOTES SPECIFIC TO JOB:
- P-TRAPS BUILT TO INDUSTRY STANDARDS
 - CONTINUOUSLY WELDED O.D.
 - O.D. WELD DISCOLORATION REMOVED
 - GLASS BEADED FINISH

NOTES UNLESS OTHERWISE SPECIFIED:

- ALL WELDS TO BE CONTINUOUS
- REMOVE ALL BURRS AND SHARP EDGES
- NO PITS, CRACKS OR HOLES ALLOWED IN WELDS

Revision Table				
DATE	BY	REV.	VER.	DESCRIPTION
01/31/2019	JW	-	1	RELEASED FOR PRODUCTION

TAG	P 2.00	Pearson Potts - CustomDrains.com 270 Bellevue Ave., #250 Newport, RI 02840 401.489.7805		
DESCRIPTION	6" SCH10 P-TRAP T304	PART #	P-TRAP 6" Sch 10	
MATERIAL	Stainless Steel	REV	-	
PVC SPEC INST.	PVC REQ.	SCALE	TOLERANCE	ALL DIMENSIONS ARE IN INCHES UNLESS NOTED
		NTS	Unless otherwise noted refer to CD Standard Tolerances	
DRAWN BY	JEFF	ORDER DATE		WORK ORDER #
DETAILED BY	JEFF			

MODEL ORIGINS -

PROJECT MANAGER -

ORDER DATE -

WORK ORDER # -