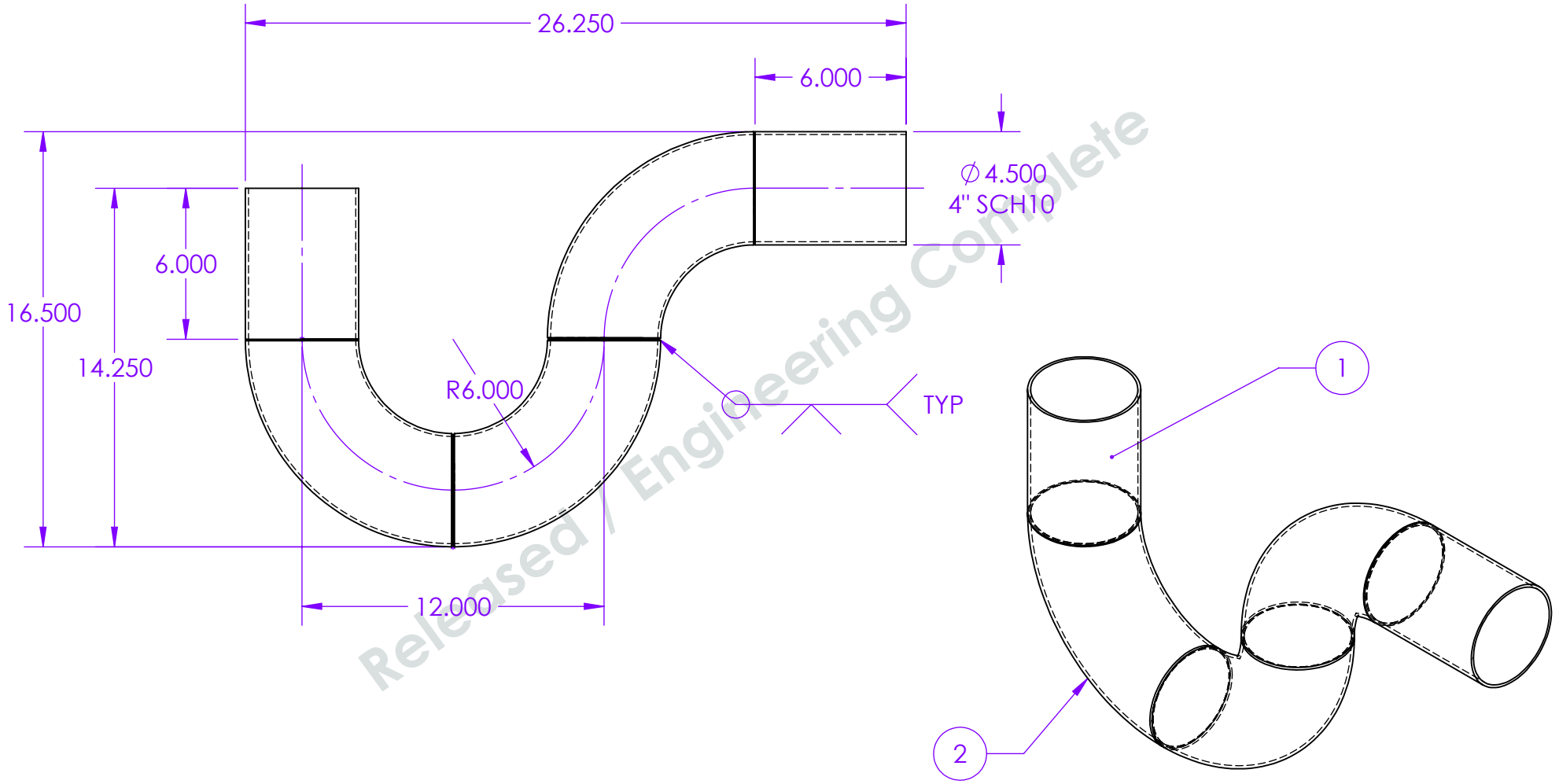


ITEM	QTY.	PART NUMBER	MATERIAL	MATERIAL THICKNESS	DESCRIPTION	CD PRODUCT NUMBER
1	2	FC-OTLT-41X6	304	.120	Pipe: 4" Sch 10 x 6 L - 304	FC-OTLT-41X6
2	3	EL90-SCH104T4	304	.120	4" SCH10 90° ELBOW T304	EL90-SCH104T4



NOTES SPECIFIC TO JOB: (WELDING TYPE:) -

NOTES UNLESS OTHERWISE SPECIFIED:

- ALL WELDS TO BE CONTINUOUS
- REMOVE ALL BURRS AND SHARP EDGES
- NO PITS, CRACKS OR HOLES ALLOWED IN WELDS

0-(MOD NOTE)

MODEL ORIGINS -

PROJECT MANAGER -

ORDER DATE -

WORK ORDER # -

TAG		Pearson Potts - CustomDrains.com			
DESCRIPTION 4" SCH10 P-TRAP T304		270 Bellevue Ave., #250 Newport, RI 02840 401.489.7805			
Stock Assembly		P 3.30			
MATERIAL Stainless Steel--		P-TRAP 4" Sch 10			REV -
PVC SPEC INST.	PVC REQ.	SCALE NTS	TOLERANCE Unless otherwise noted refer to CD Standard Tolerances	ALL DIMENSIONS ARE IN INCHES UNLESS NOTED OTHERWISE	
DRAWN BY WILLIAMS DETAILED BY WILLIAMS	WEIGHT 19.176	LAST SAVED 3/17/2021 9:22:57 AM	SHEET 1 OF 1	ENGINEERING ID PT-41	VER. 1