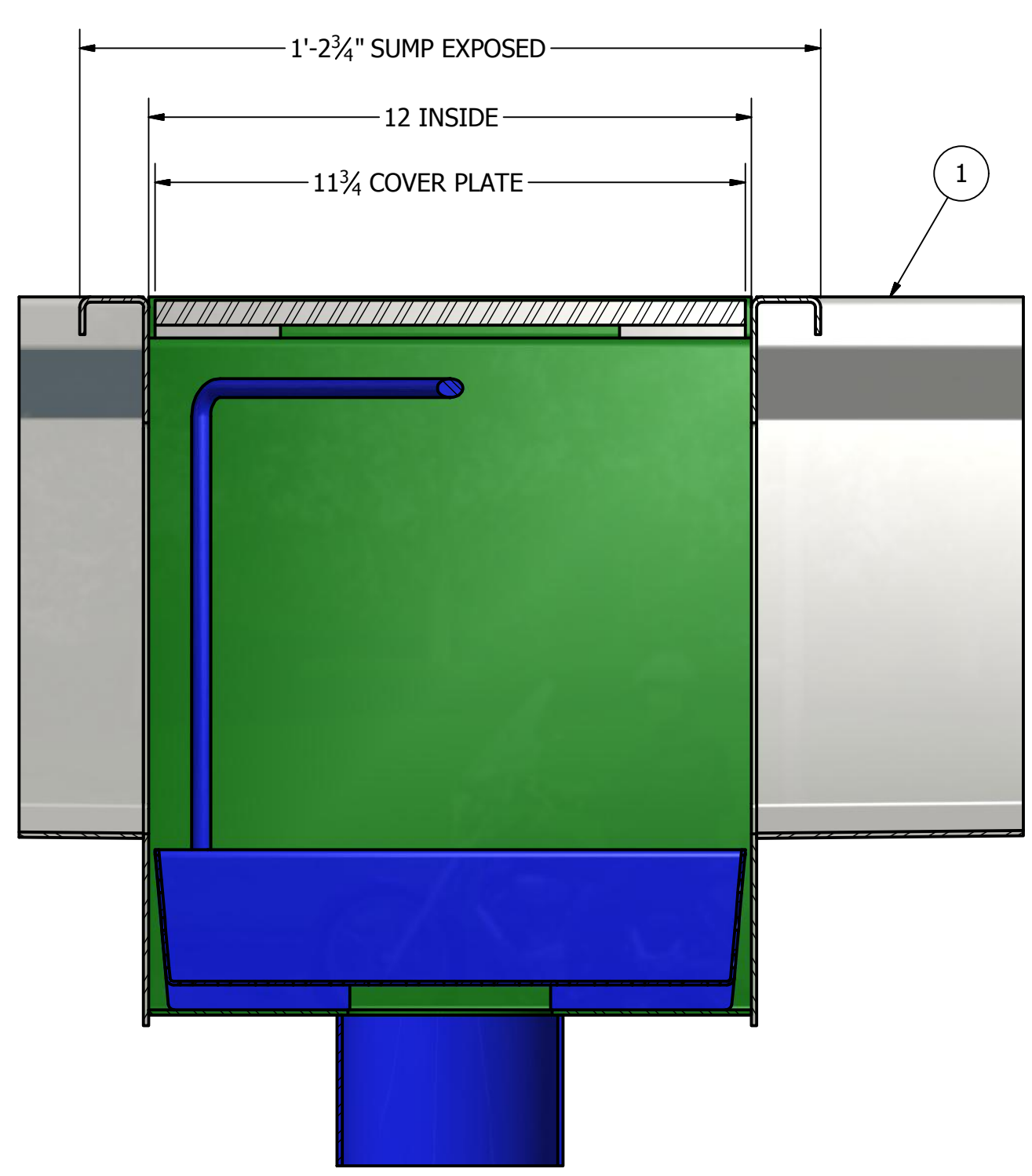
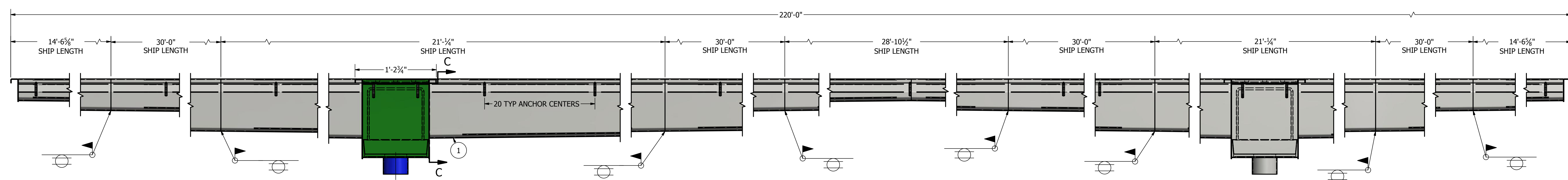
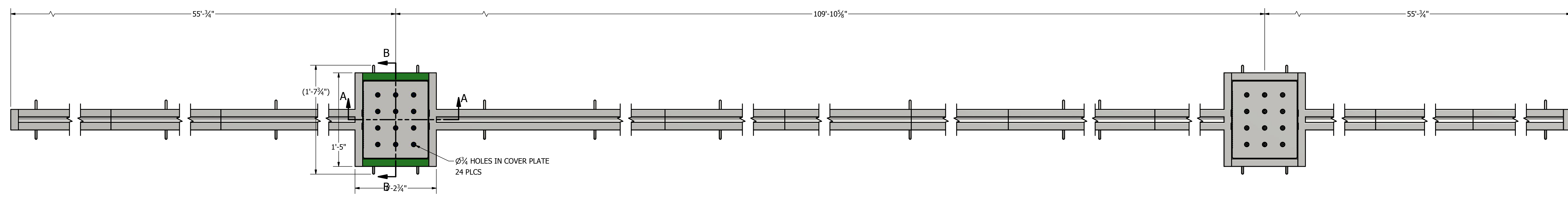
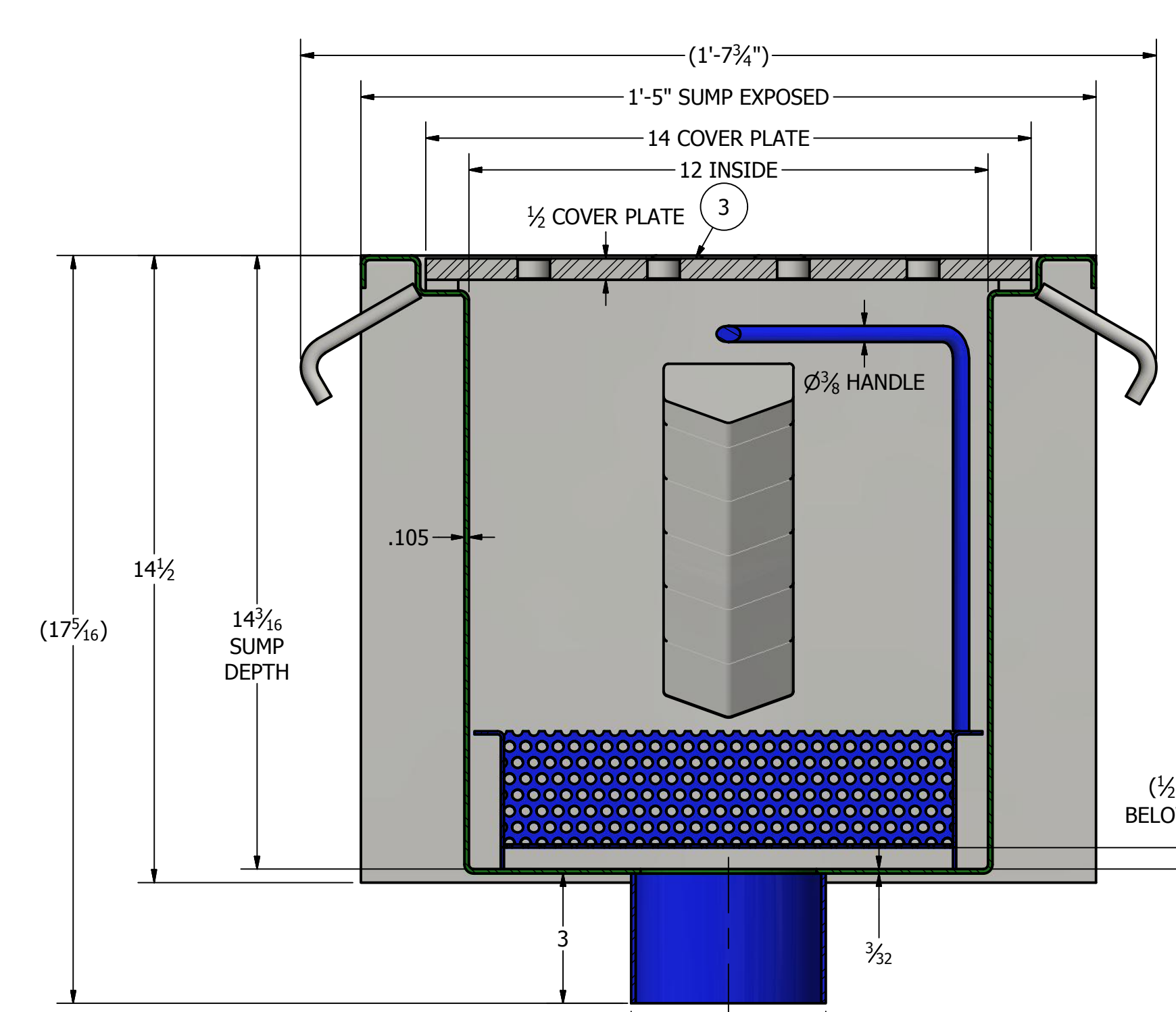


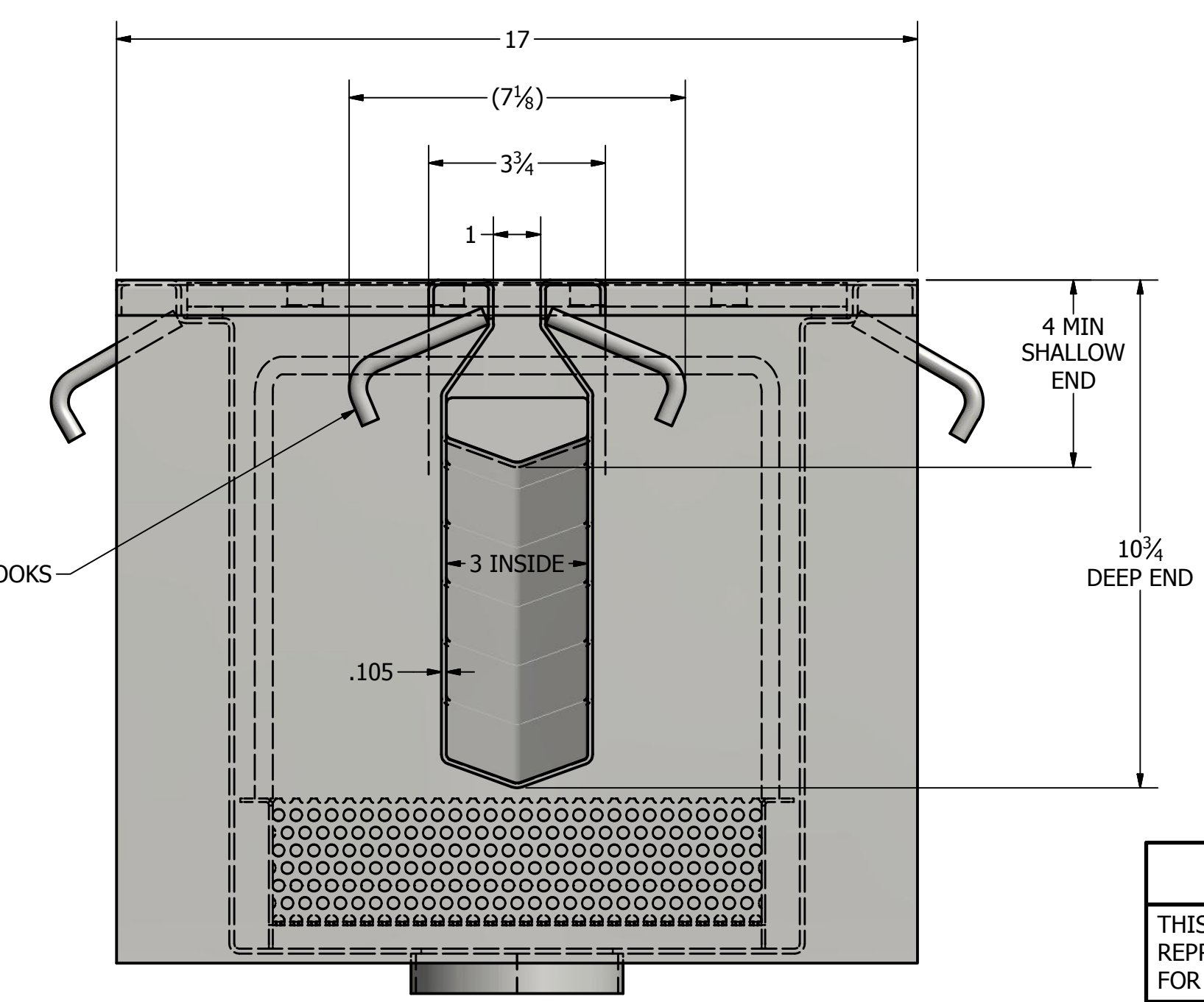
PARTS LIST					
ITEM	QTY	PART NUMBER	TITLE	DESCRIPTION	MATERIAL
1	2	13249-013	SLOT WELDMENT	WITH SUMP BOX	Welded Stainless Steel
2	2	13249-012	SCREEN WELDMENT	1/4 HOLES ON 3/8 STAGGER	Welded Stainless Steel
3	2	11109-052	COVER WELDMENT		Welded Stainless Steel
4	4	13249-015	SLOT WELDMENT		Welded Stainless Steel
5	1	13249-016	SLOT WELDMENT		Welded Stainless Steel
6	2	13249-017	SLOT WELDMENT		Welded Stainless Steel



SECTION A-A



SECTION B-B



SECTION C-C  
SLOT PROFILE

- NOTE:
1. DRAINS SHORTER THAN 30' WILL BE SHIPPED COMPLETELY WELDED.
  2. COVER PLATE IS RATED FOR 5,000 LBS MAXIMUM.
  3. ALL MATERIAL IS 304 STAINLESS STEEL. SLOTS & SUMPS ARE 12 GA. BASKETS ARE 14 GA.
  4. PERFORATED MATERIAL IS 14 GA WITH  $\phi 1/4$  HOLES ON A 3/8 STAGGER
  5. EXPOSED SEAMS WILL BE BEAD BLASTED FINISH.
  6. SLOTS TAPER TOWARD SUMPS 1/8" PER FOOT.
  7. COVER PLATE WELDMENT WEIGHT = APPROX 25 LBS

<b>PROPRIETARY NOTICE</b>	
THIS DRAWING IS PROPERTY OF CUSTOMDRAINS.COM & SHALL NOT BE COPIED, REPRODUCED, LENT, OR DISPOSED OF NOR USED FOR ANY OTHER PURPOSE THAN FOR WHICH IT IS SPECIFICALLY FURNISHED & MUST BE RETURNED UPON DEMAND.	
DRAWN TAF CHECKED	8/16/2013
<b>Pearson Potts - CustomDrains.com</b>	
270 BELLEVUE AVE., #250, NEWPORT, RI 02840	
TITLE <b>SLOT DRAIN ASSEMBLY PARAMOUNT CITRUS</b>	
SIZE <b>D</b>	DWG NO <b>13249-001</b>
SCALE <b>1834.764 lbmass EA</b>	SHEET 1 OF 1