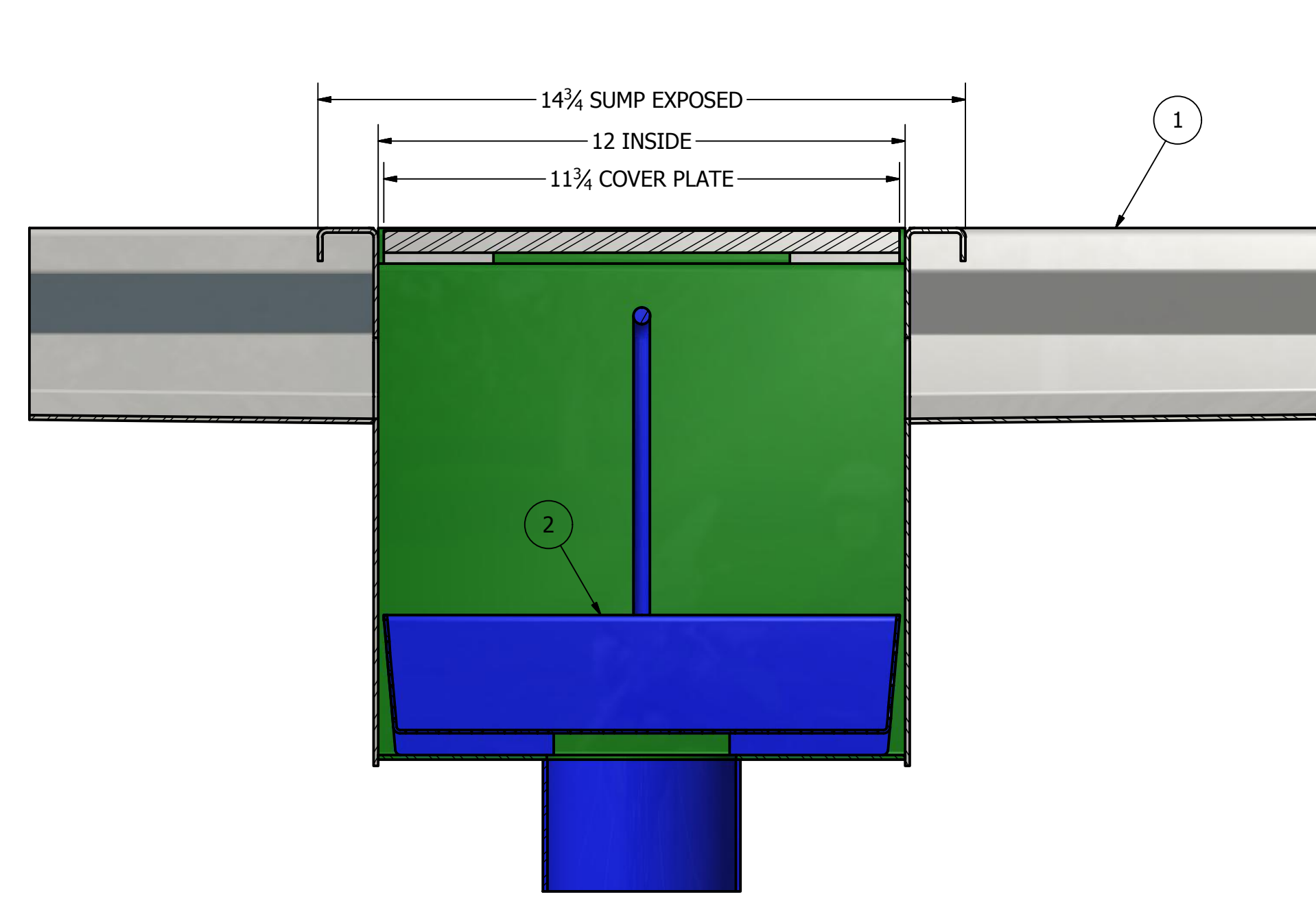
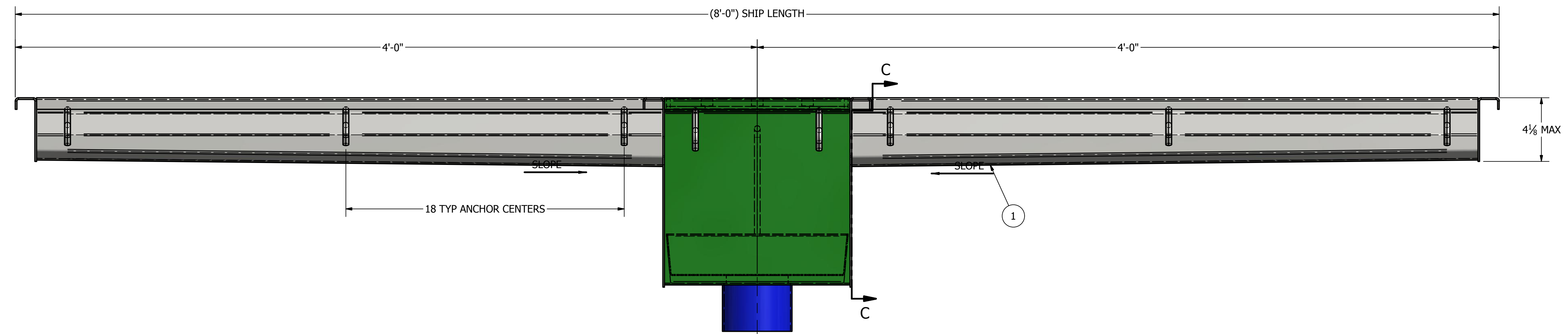
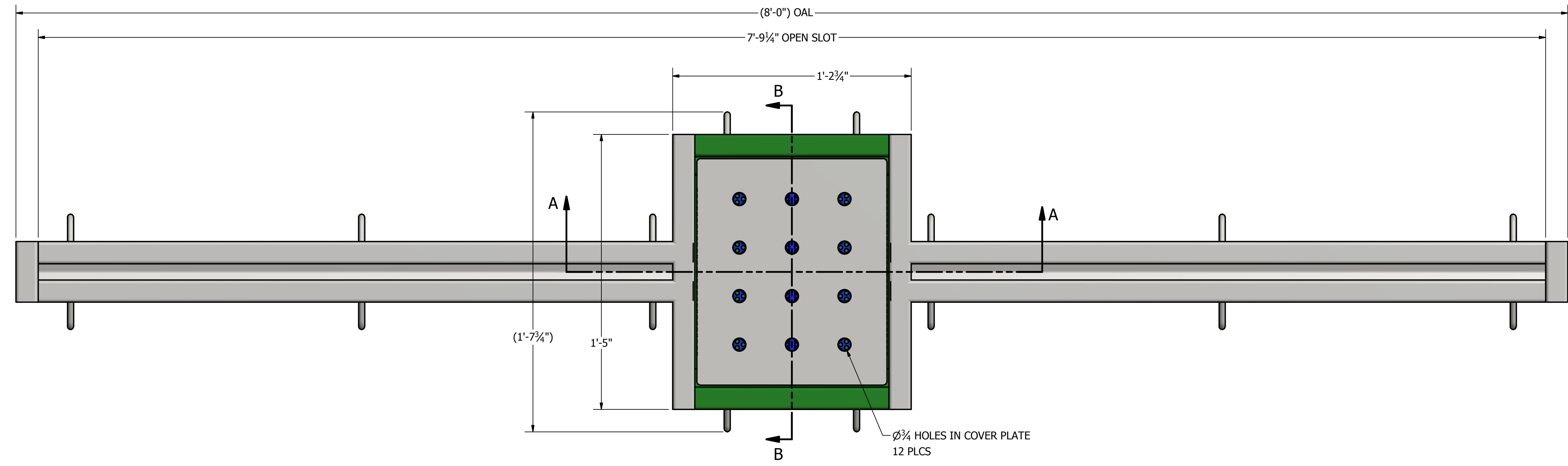
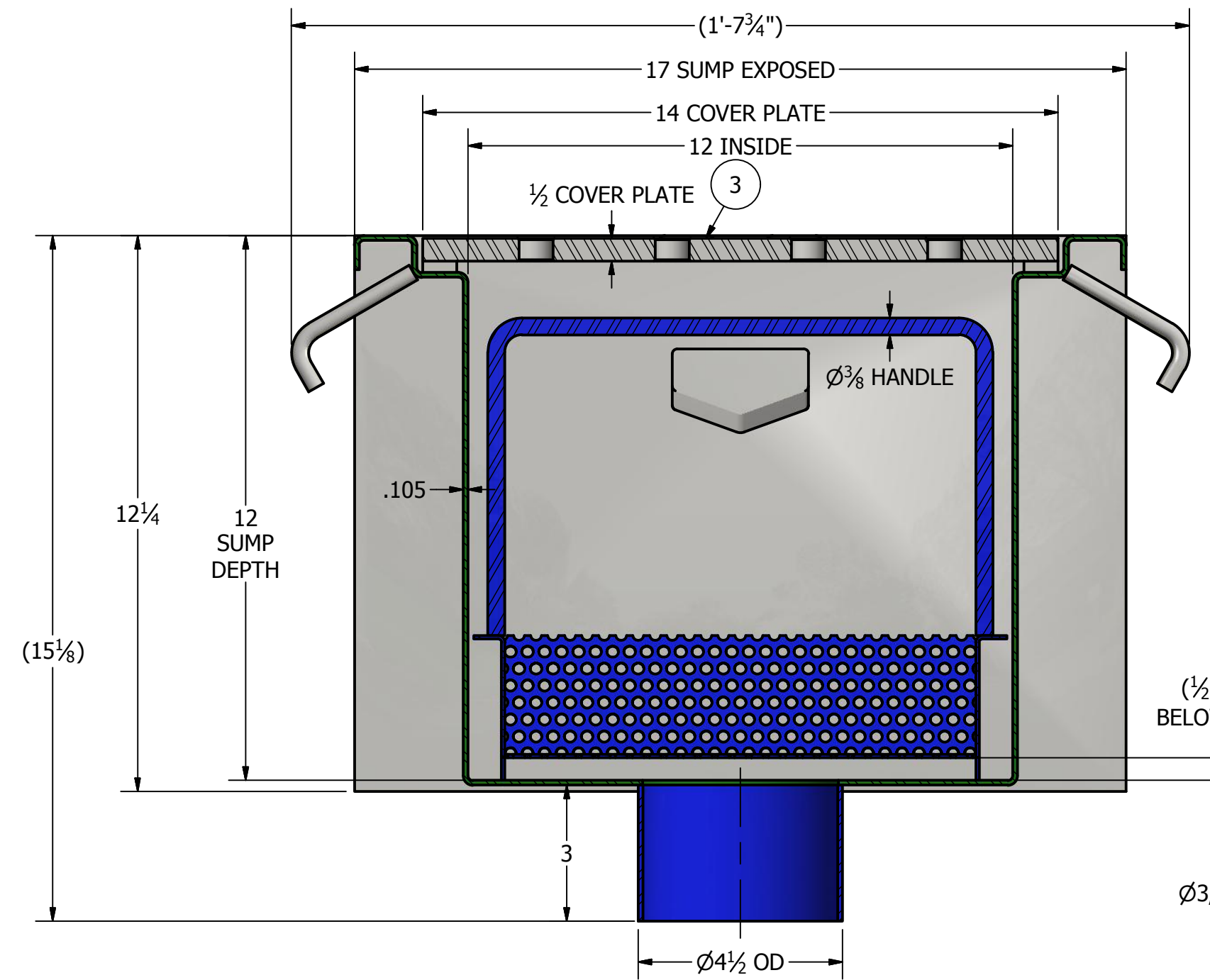


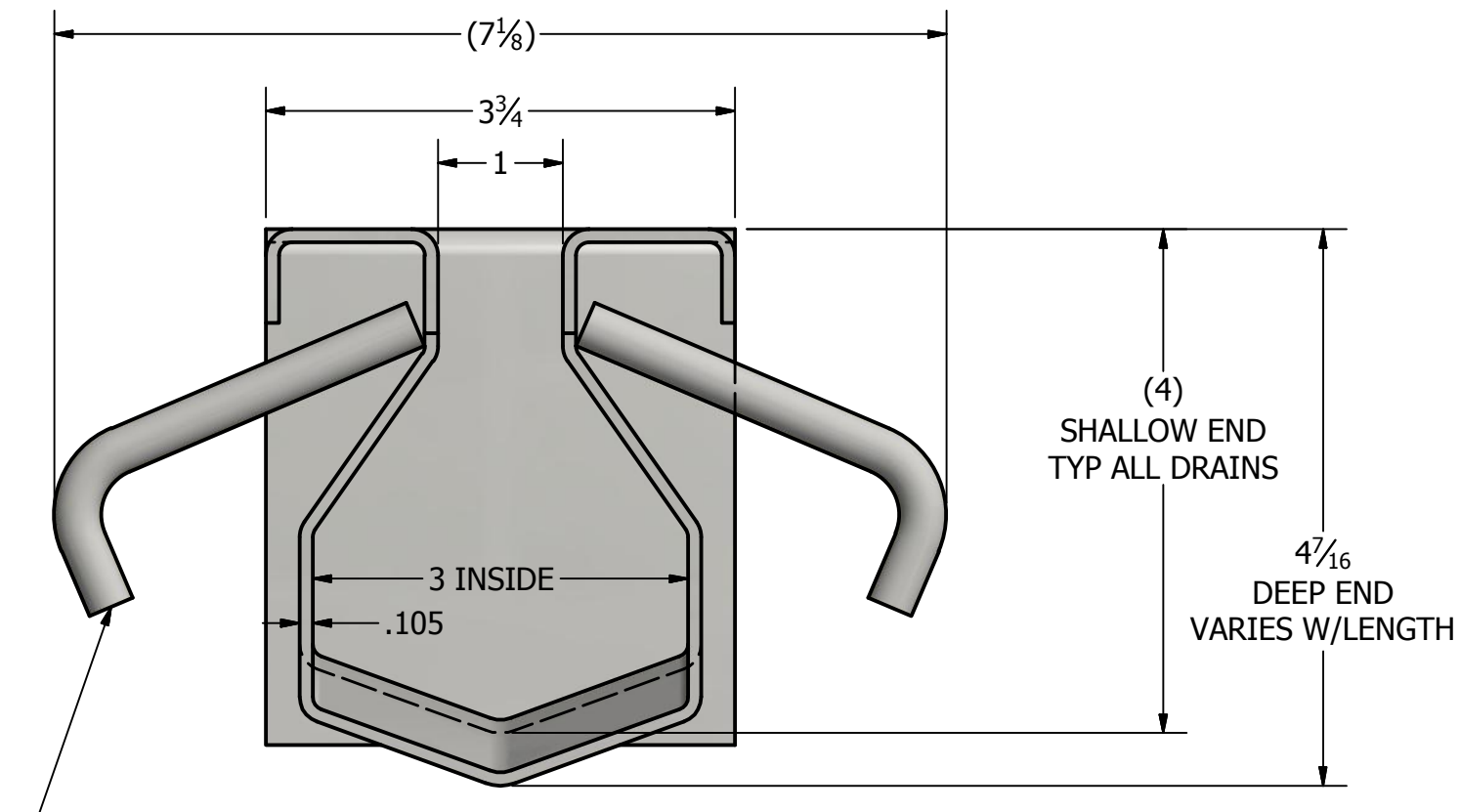
PARTS LIST			ITEM	QTY	PART NUMBER	TITLE	DESCRIPTION	MATERIAL
1	1	13129-013	SLOT WELDMENT			WITH SUMP BOX		Welded Stainless Steel
2	1	13129-012	SCREEN WELDMENT			1/4 HOLES ON 3/8 STAGGER		Welded Stainless Steel
3	1	11109-052	COVER WELDMENT					Welded Stainless Steel



SECTION A-A



SECTION B-B



SECTION C-C
SLOT PROFILE

- NOTE:
- DRAINS SHORTER THAN 30' WILL BE SHIPPED COMPLETELY WELDED.
 - COVER PLATE IS RATED FOR 5,000 LBS MAXIMUM.
 - ALL MATERIAL IS 304 STAINLESS STEEL. SLOTS & SUMPS ARE 12 GA. BASKETS ARE 14 GA.
 - PERFORATED MATERIAL IS 14 GA WITH $\phi 1/4$ HOLES ON A 3/8 STAGGER
 - EXPOSED SEAMS WILL BE BEAD BLASTED FINISH.
 - SLOTS TAPER TOWARD SUMPS 1/8" PER FOOT.
 - COVER PLATE WELDMENT WEIGHT = APPROX 25 LBS

PROPRIETARY NOTICE	
THIS DRAWING IS PROPERTY OF CUSTOMDRAINS.COM & SHALL NOT BE COPIED, REPRODUCED, LENT, OR DISPOSED OF NOR USED FOR ANY OTHER PURPOSE THAN FOR WHICH IT IS SPECIFICALLY FURNISHED & MUST BE RETURNED UPON DEMAND.	
DRAWN TAF CHECKED	4/30/2013
Pearson Potts - CustomDrains.com	
270 BELLEVUE AVE., #250, NEWPORT, RI 02840	
TITLE SLOT DRAIN ASSEMBLY - SD-2	
HILLIARD BRUCE VINEYARDS	
SIZE D	DWG NO 13129-002
SCALE	98.754 lbmass EA (SHEET 1 OF 1)