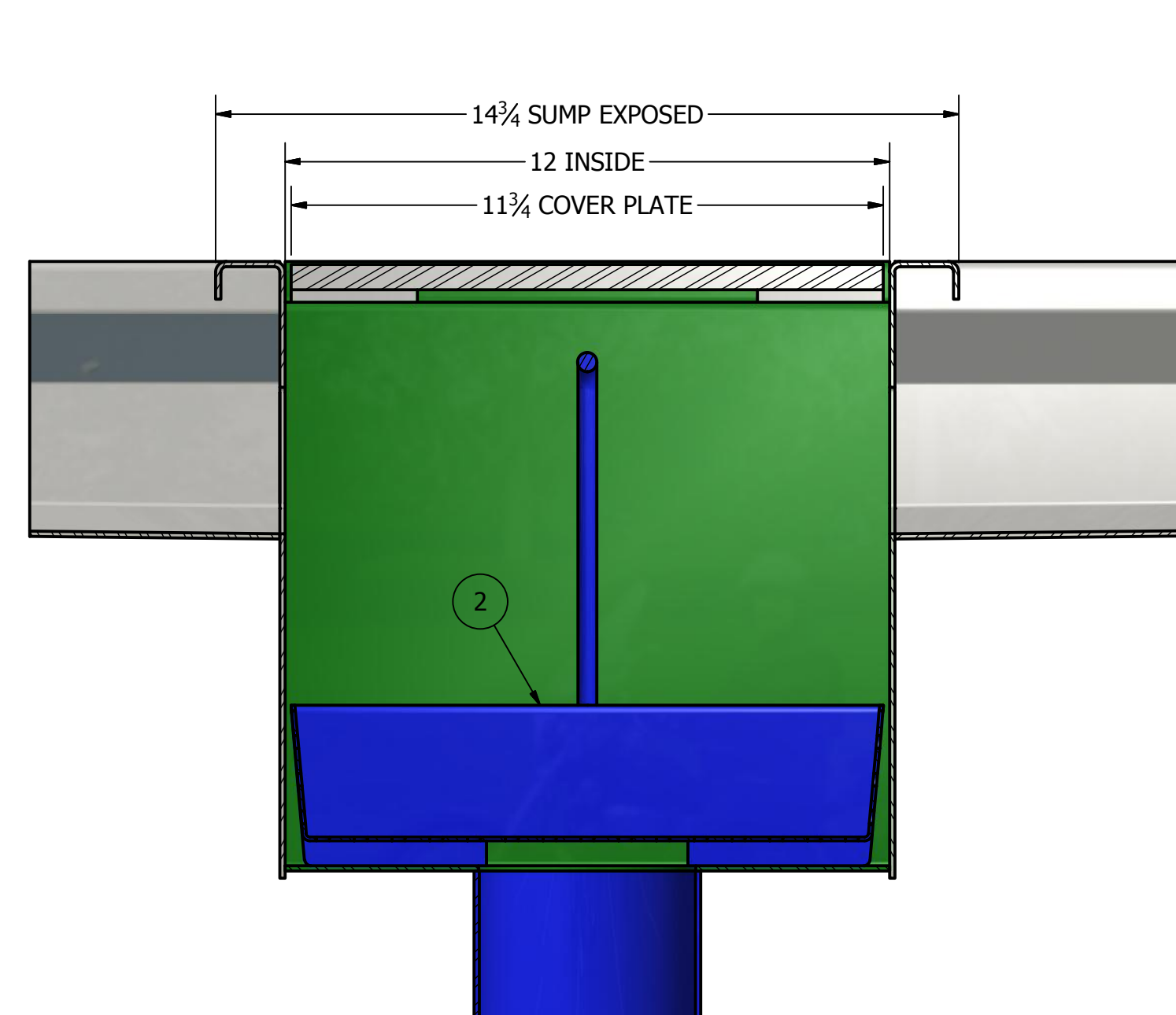
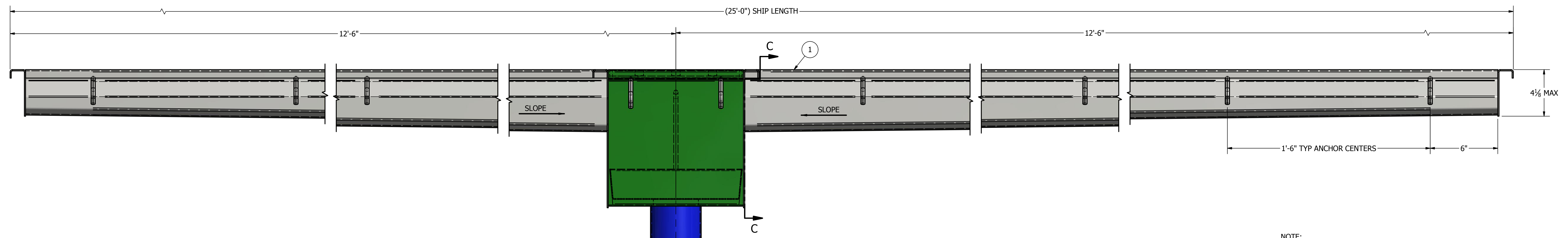
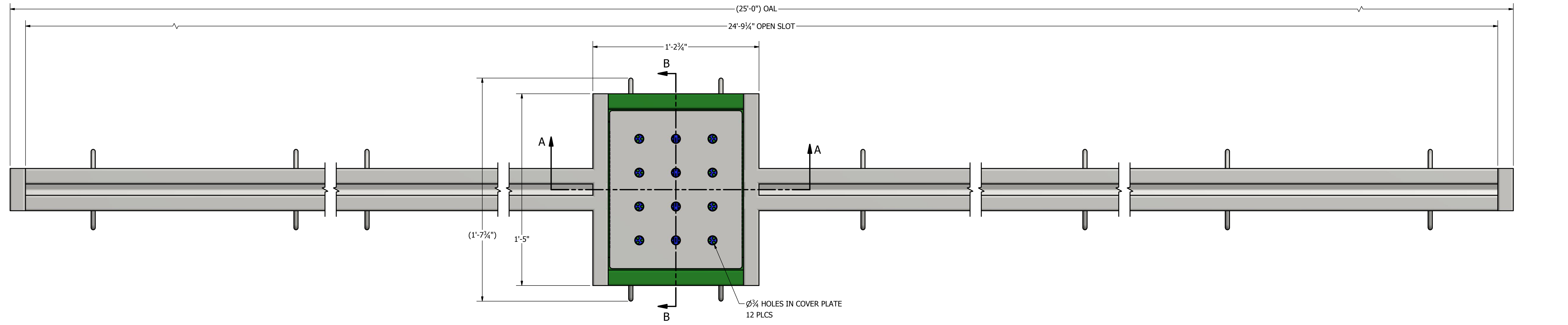
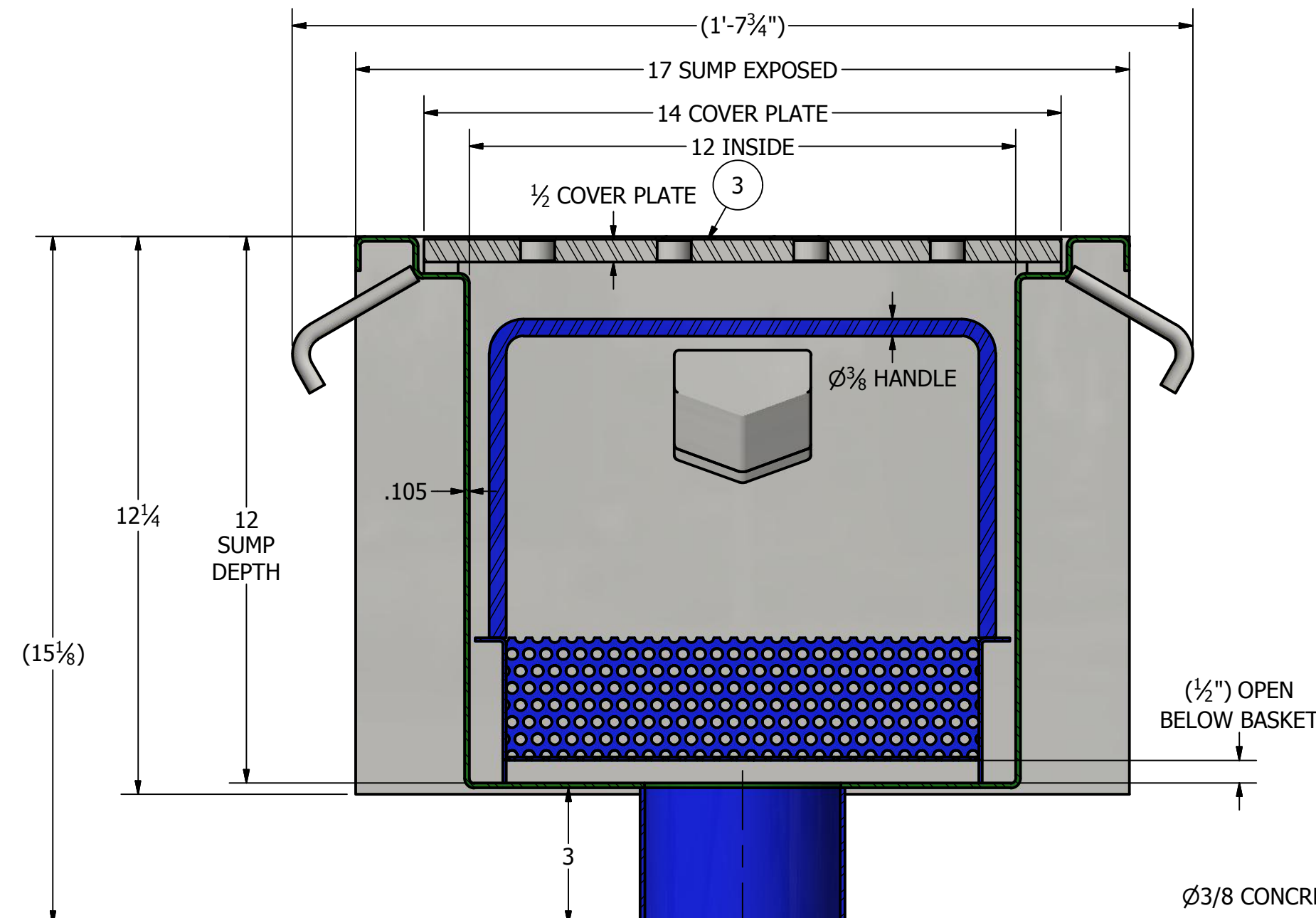


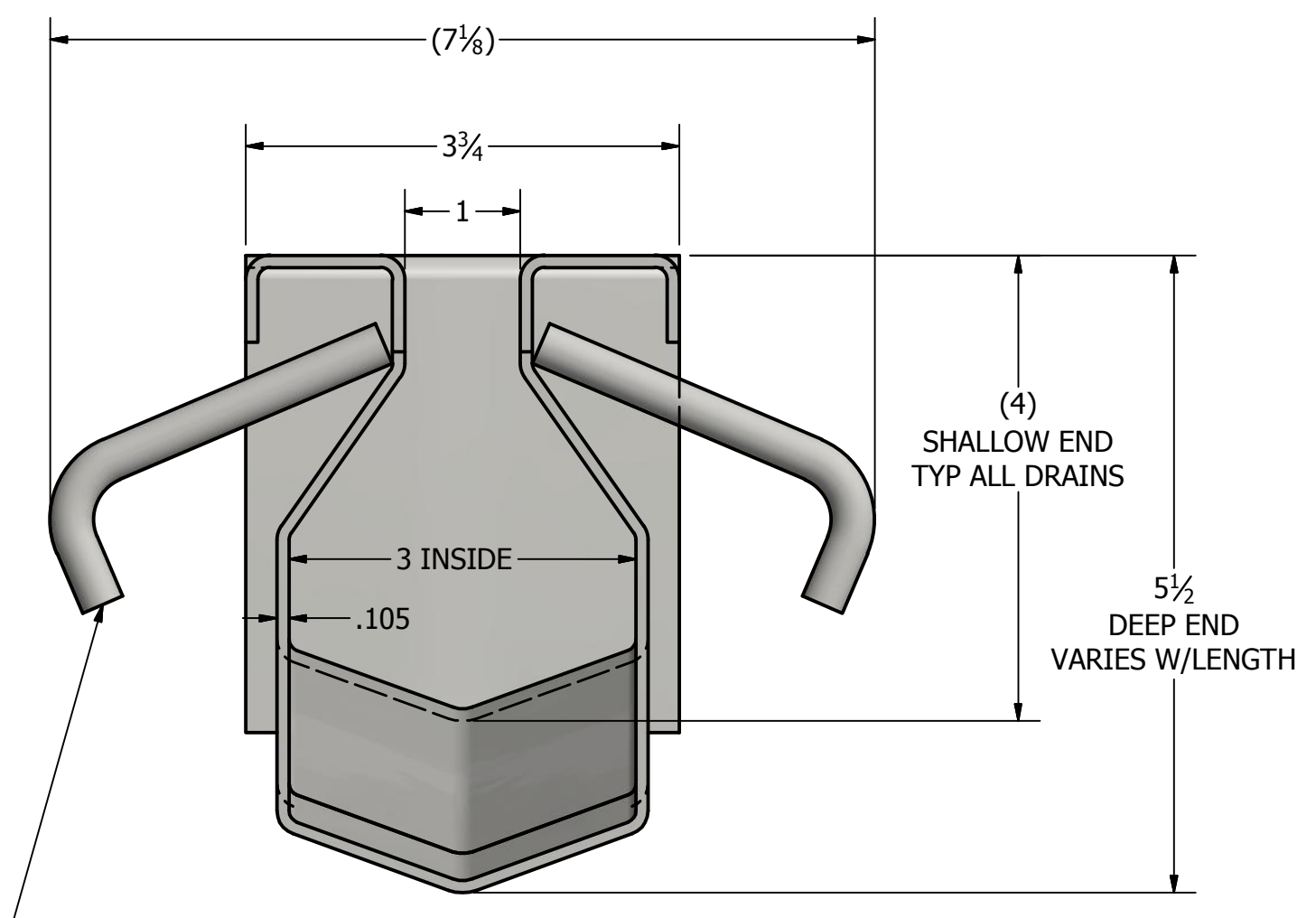
			PARTS LIST		
ITEM	QTY	PART NUMBER	TITLE	DESCRIPTION	MATERIAL
1	1	13129-010	SLOT WELDMENT WITH SUMP BOX		Welded Stainless Steel
2	1	13129-012	SCREEN WELDMENT	1/4 HOLES ON 3/8 STAGGER	Welded Stainless Steel
3	1	11109-052	COVER WELDMENT		Welded Stainless Steel



SECTION A-A



SECTION B-B



SECTION C-C
SLOT PROFILE

- NOTE:
1. DRAINS SHORTER THAN 30' WILL BE SHIPPED COMPLETELY WELDED.
 2. COVER PLATE IS RATED FOR 5,000 LBS MAXIMUM.
 3. ALL MATERIAL IS 304 STAINLESS STEEL. SLOTS & SUMPS ARE 12 GA. BASKETS ARE 14 GA.
 4. PERFORATED MATERIAL IS 14 GA WITH Ø 1/4 HOLES ON A 3/8 STAGGER
 5. EXPOSED SEAMS WILL BE BEAD BLASTED FINISH.
 6. SLOTS TAPER TOWARD SUMPS 1/8" PER FOOT.
 7. COVER PLATE WELDMENT WEIGHT = APPROX 25 LBS

PROPRIETARY NOTICE	
THIS DRAWING IS PROPERTY OF CUSTOMDRAINS.COM & SHALL NOT BE COPIED, REPRODUCED, LENT, OR DISPOSED OF NOR USED FOR ANY OTHER PURPOSE THAN FOR WHICH IT IS SPECIFICALLY FURNISHED & MUST BE RETURNED UPON DEMAND.	
DRAWN TAF CHECKED	4/25/2013
Pearson Potts - CustomDrains.com	
270 BELLEVUE AVE., #250, NEWPORT, RI 02840	
TITLE SLOT DRAIN ASSEMBLY - SD-3	
HILLIARD BRUCE VINEYARDS	
SIZE D	DWG NO 13129-001
SCALE 202.008 lbmass EA	SHEET 1 OF 1