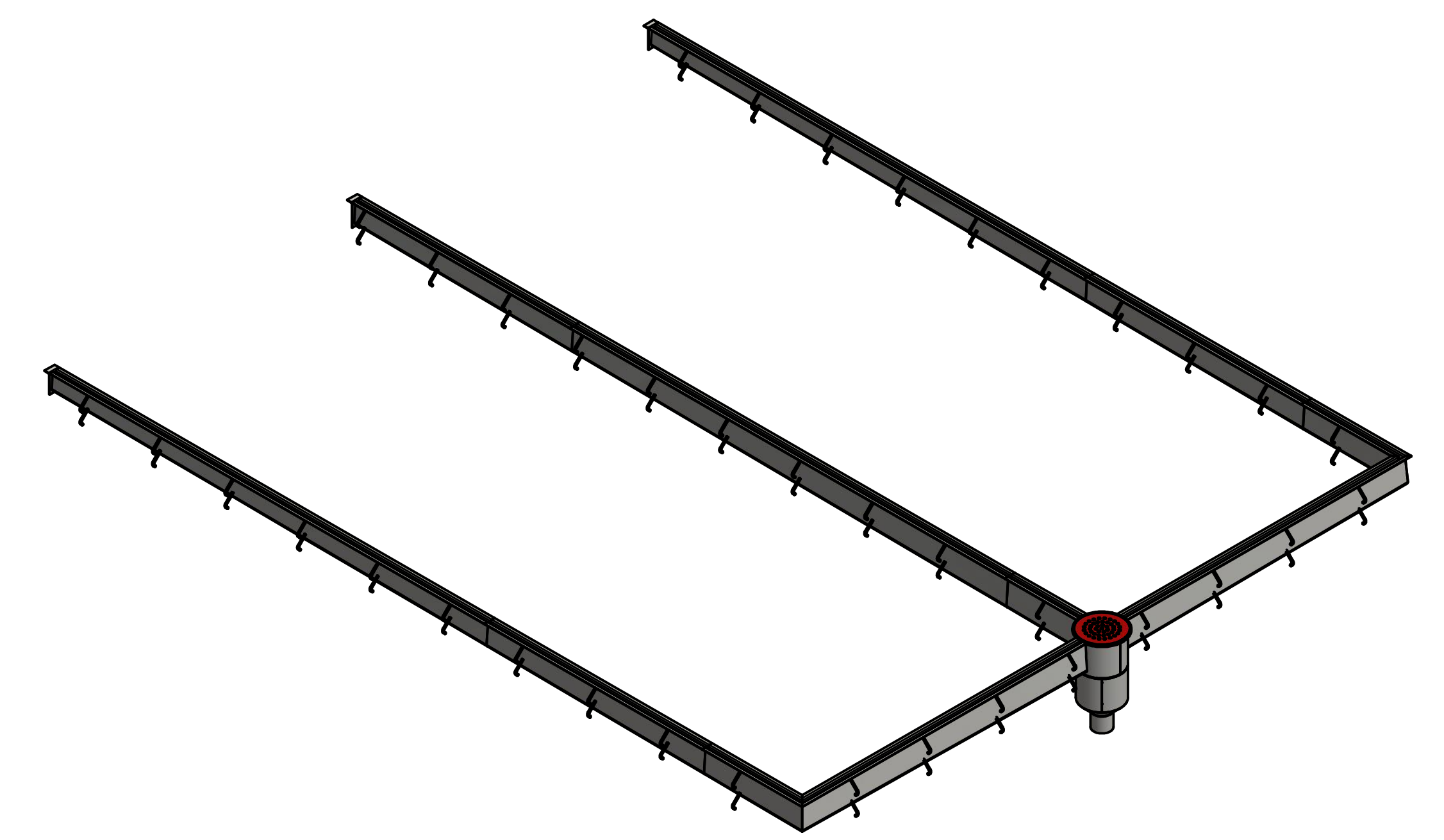
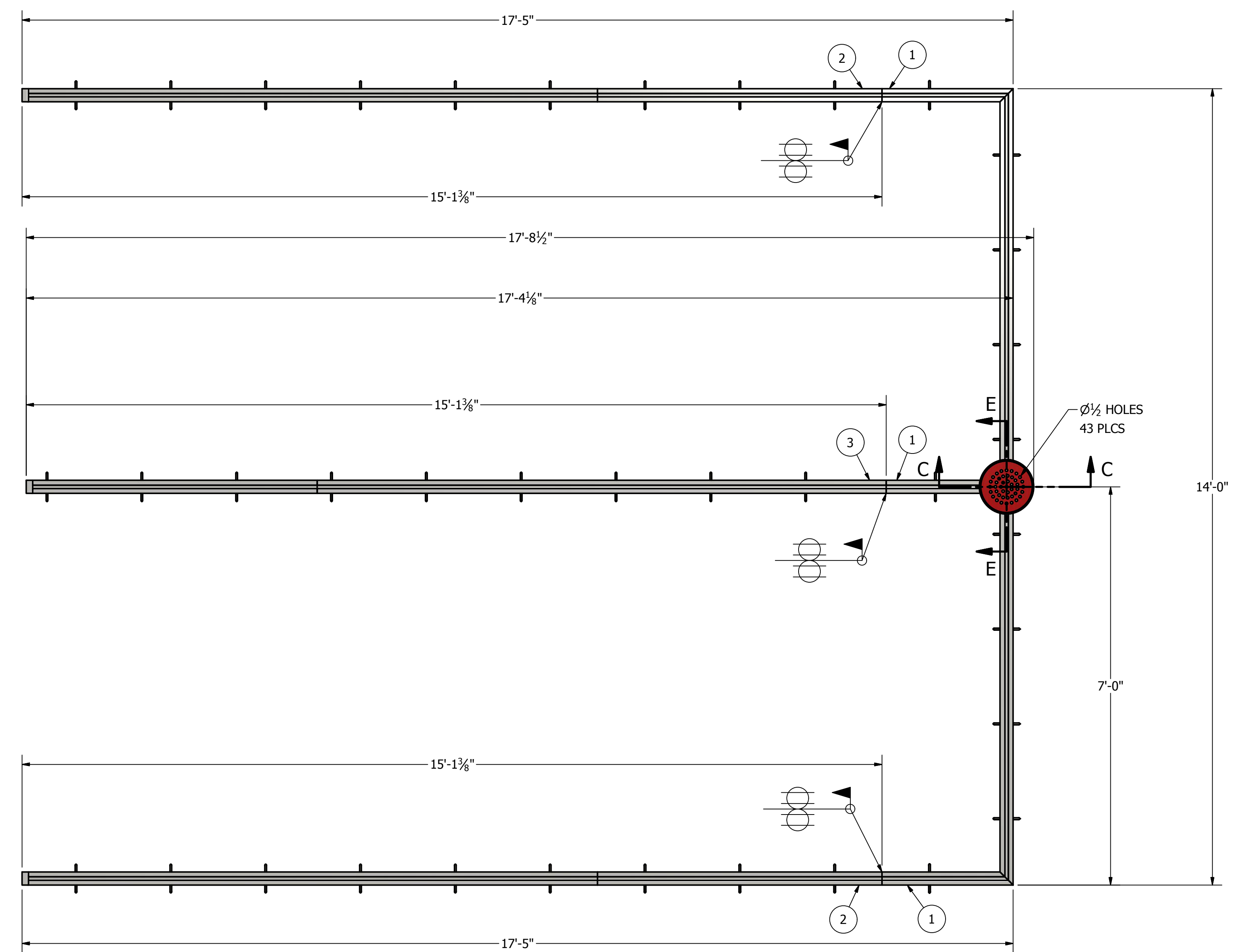
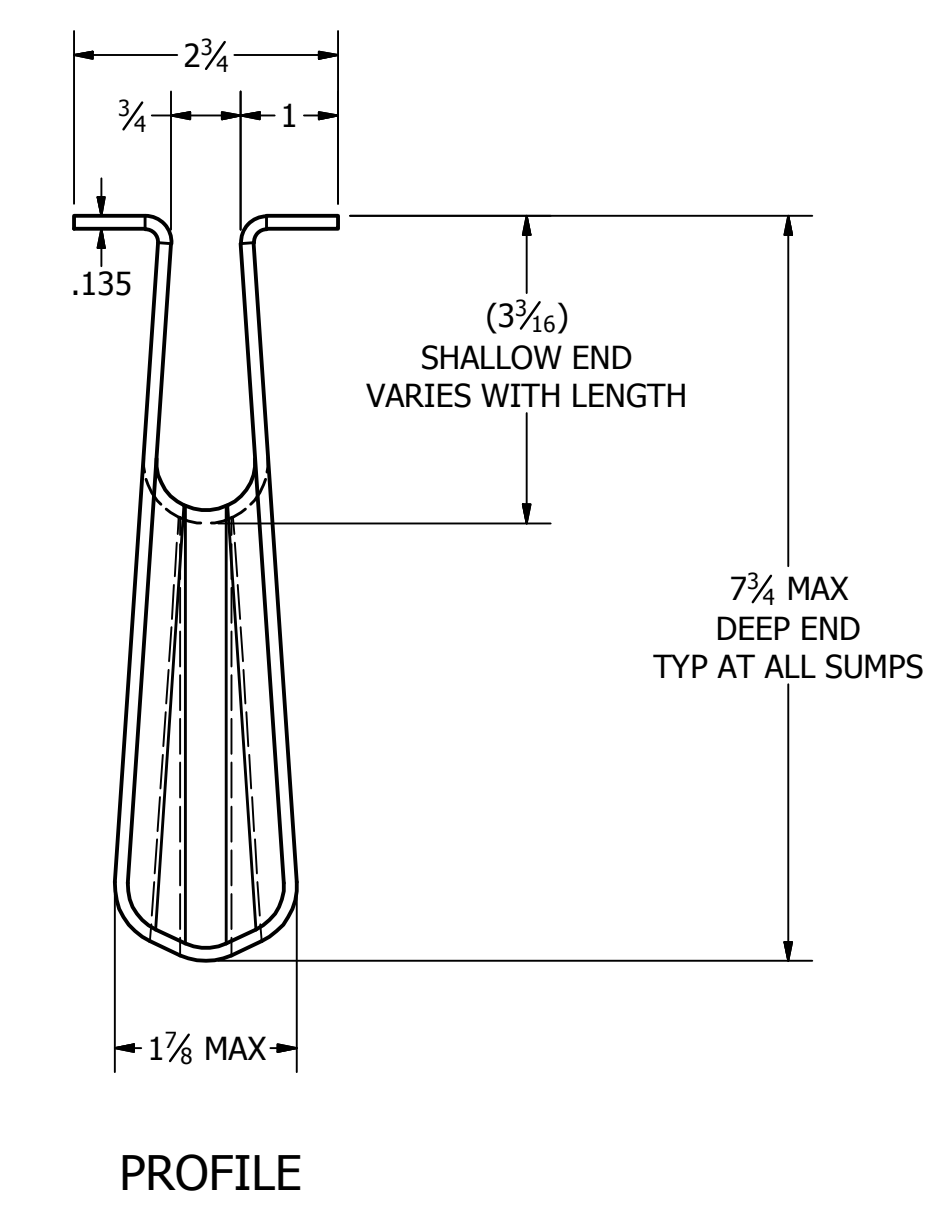
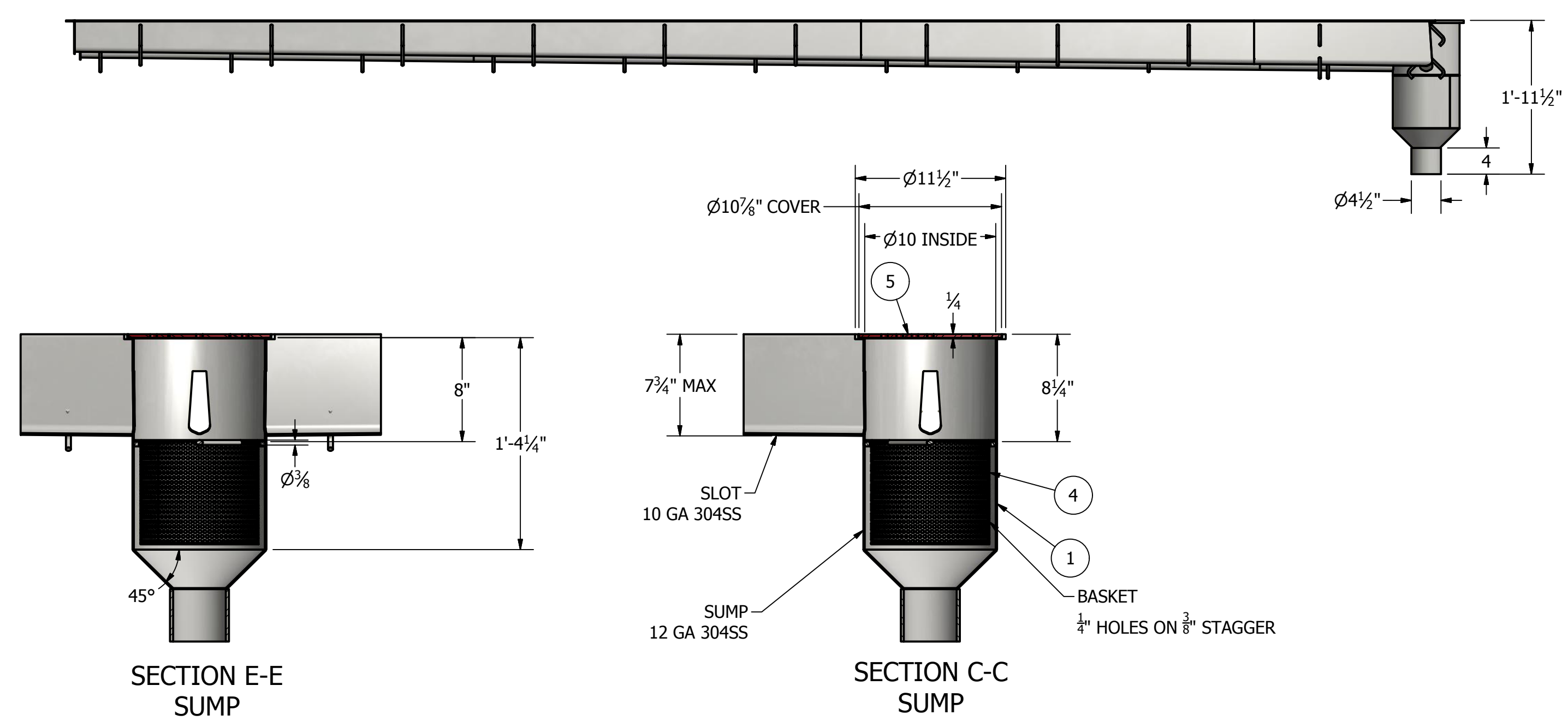


PARTS LIST					
ITEM	QTY	PART NUMBER	TITLE	DESCRIPTION	MATERIAL
1	1	13188-002	SLOT WELDMENT		WELDED STAINLESS
2	2	13188-004	SLOT WELDMENT		WELDED STAINLESS
3	1	13188-005	SLOT WELDMENT		WELDED STAINLESS
4	1	13188-007	BASKET WELDMENT		WELDED STAINLESS
5	1	13188-215	LID		STAINLESS-304



- NOTE:
1. DRAINS SHIPPED IN SECTIONS AND WILL REQUIRE FIELD WELDS AT THE SEAMS AS NOTED.
 2. ALL MATERIAL IS 304 STAINLESS STEEL. SLOTS ARE 10 GA & SUMPS ARE 12 GA. BASKETS ARE 14 GA.
 3. PERFORATED MATERIAL IS 14 GA.
 4. EXPOSED SEAMS WILL BE BEAD BLASTED FINISH.
 5. SLOTS TAPER TOWARD SUMPS 1/8" PER FOOT MINIMUM TO 1/4" PER FOOT MAXIMUM.
 6. COVER PLATE WELDMENT WEIGHT = APPROX 6.1 LBS



PROPRIETARY NOTICE

THIS DRAWING IS PROPERTY OF CUSTOMDRAINS.COM & SHALL NOT BE COPIED, REPRODUCED, LENT, OR DISPOSED OF NOR USED FOR ANY OTHER PURPOSE THAN FOR WHICH IT IS SPECIFICALLY FURNISHED & MUST BE RETURNED UPON DEMAND.

DRAWN TAF	6/19/2013	Pearson Potts - CustomDrains.com	
CHECKED		270 BELLEVUE AVE., #250, NEWPORT, RI 02840	
UNLESS OTHERWISE SPECIFIED:		TITLE SLOT ASSEMBLY	
1. ALL DIMENSIONS IN INCHES		SIZE D	
2. DIMENSIONAL TOLERANCES:		DWG NO 13188-010	
X/X ±.1/16		REV	
XXX ±0.015		SCALE	
X.XXX ±0.005		513.732 lbmass EA	
X.XXXX ±0.0005		SHEET 1 OF 1	
3. ANGULAR TOLERANCES:			
X° ±1.0°			
X.XX° ±0.5°			