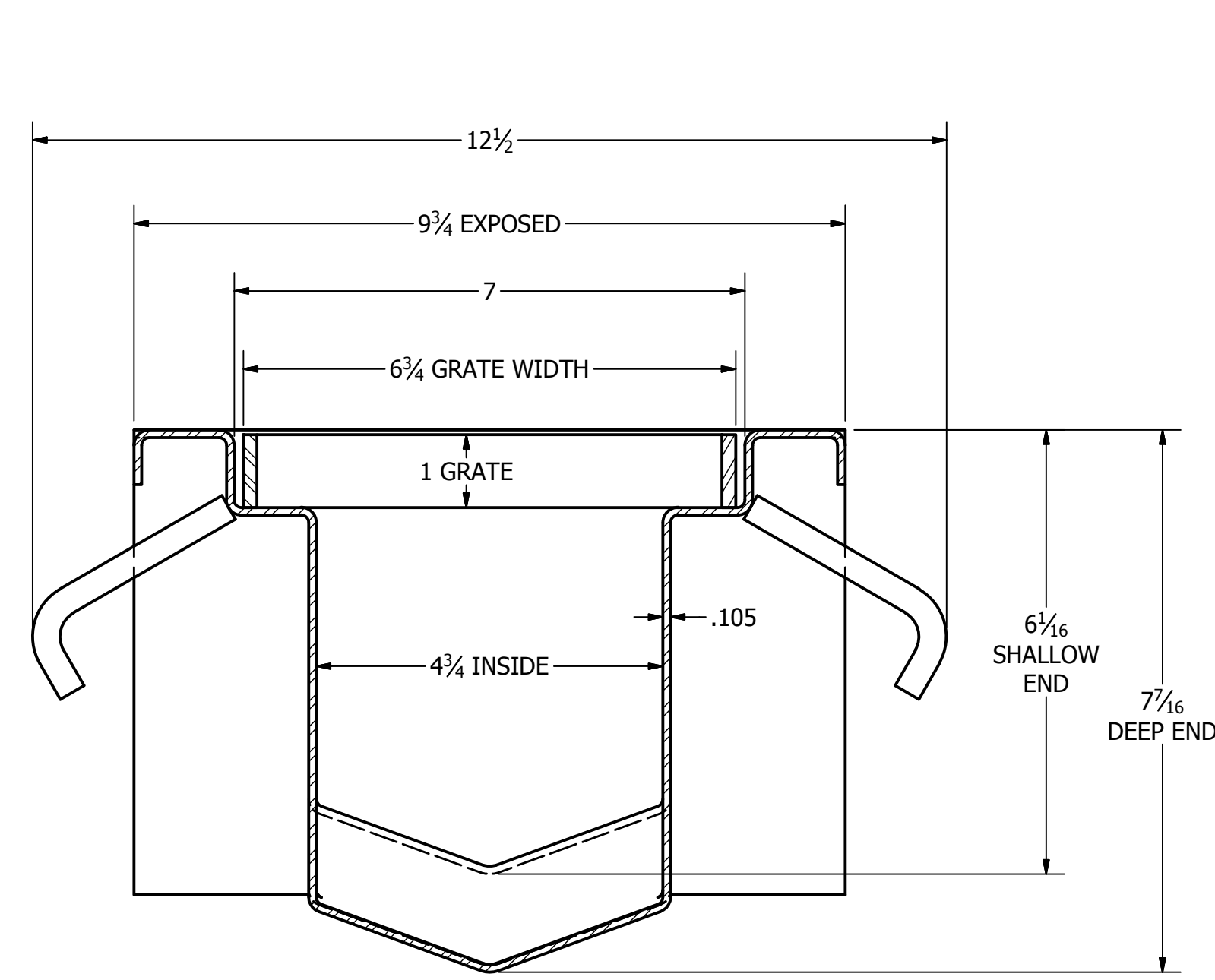
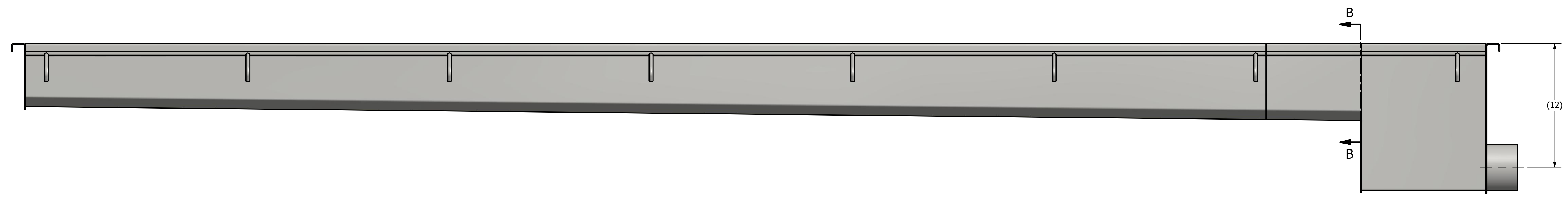
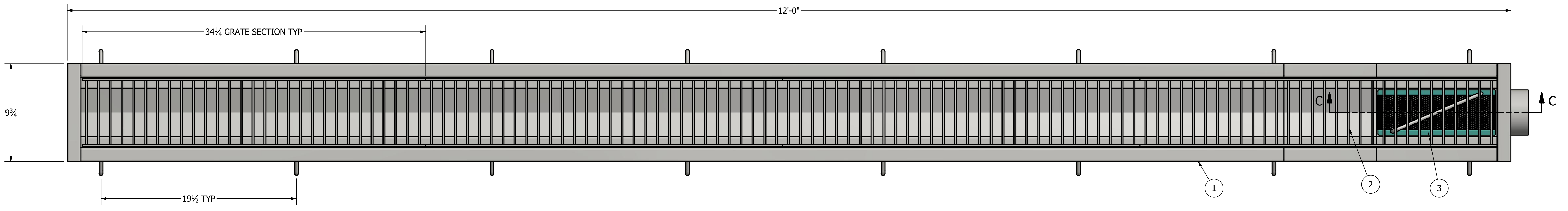
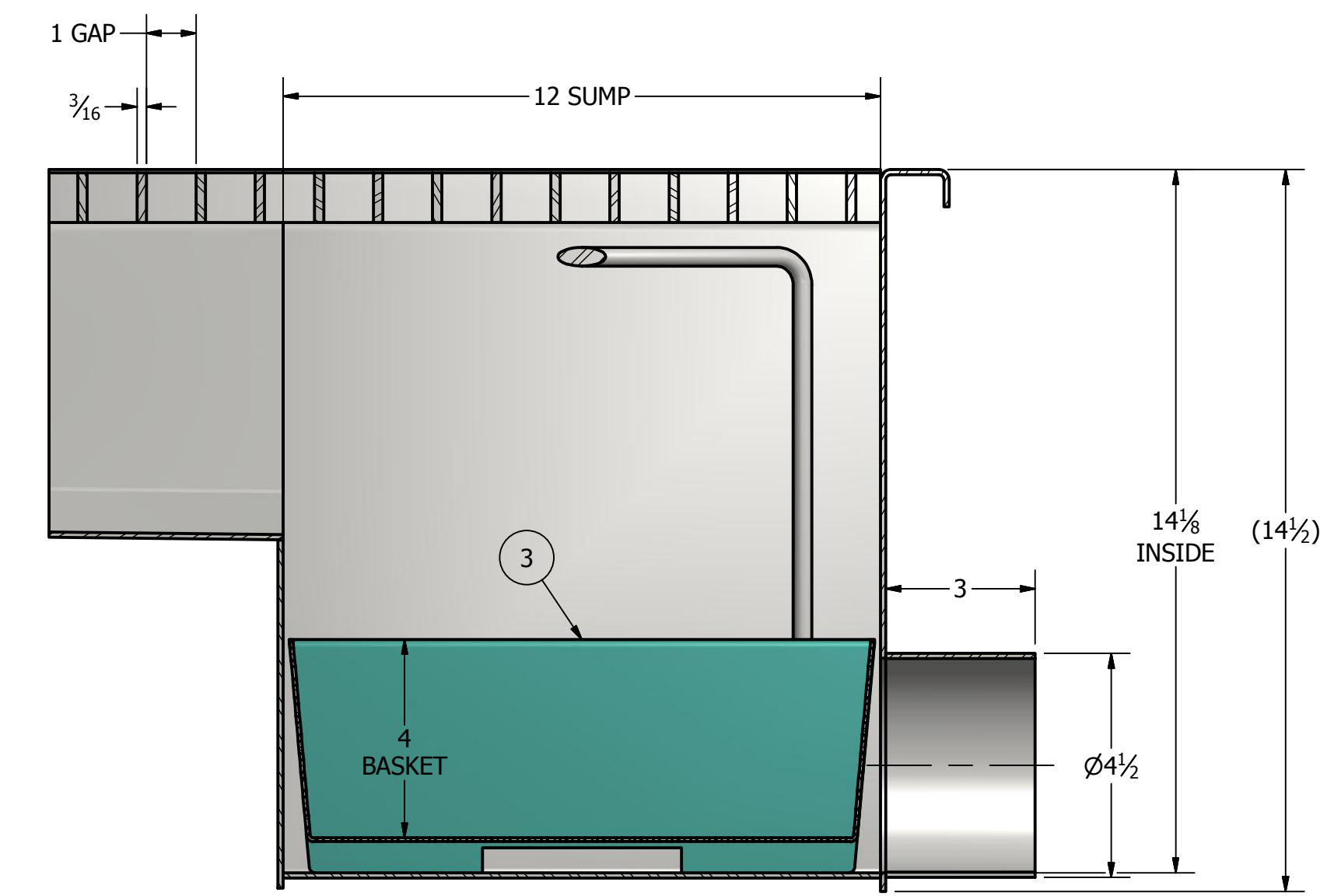


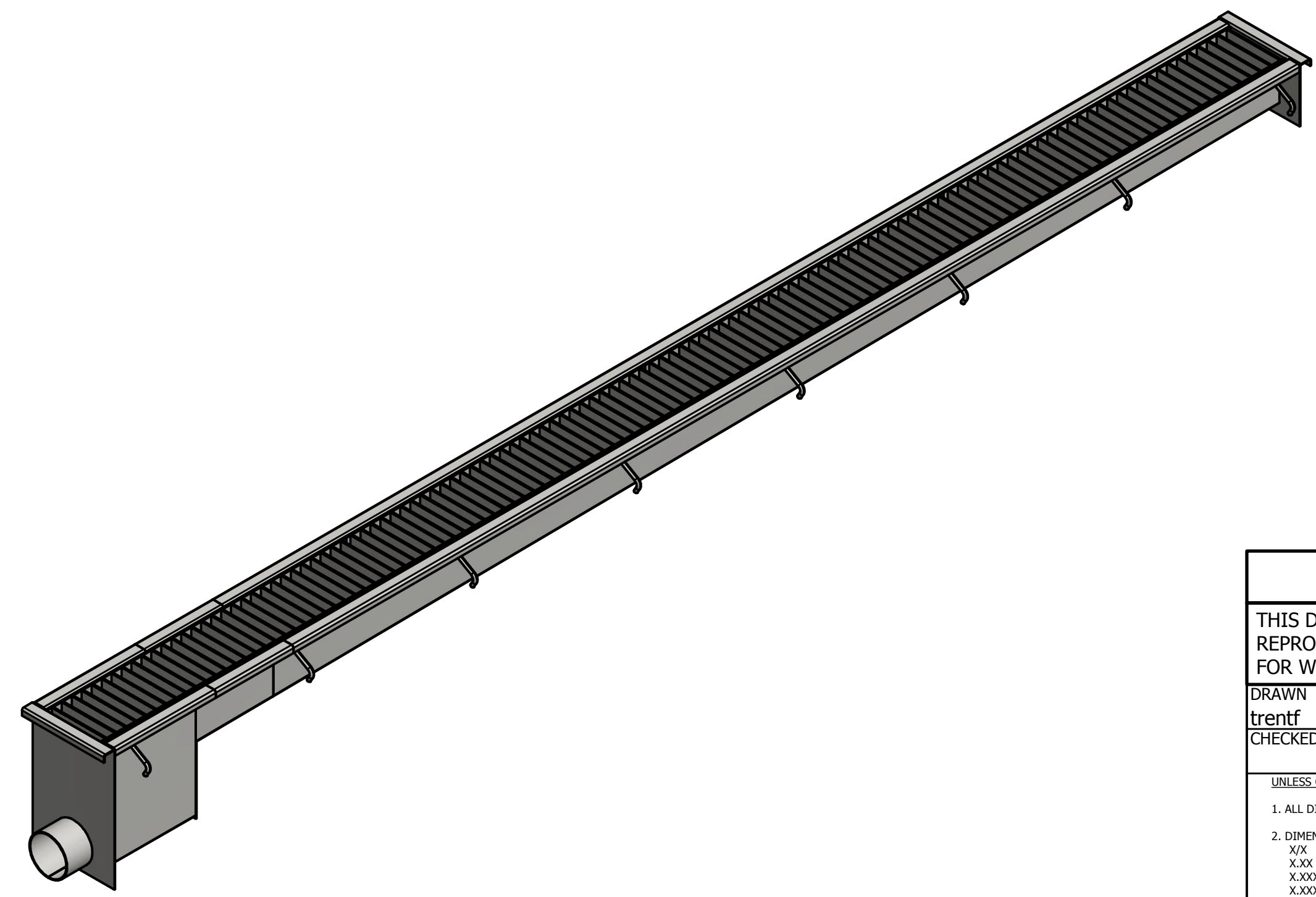
PARTS LIST				
ITEM	QTY	PART NUMBER	TITLE	DESCRIPTION
1	1	13298-006	TRENCH WDMT	
2	4	13298-005	GRATE WDMT	
3	1	13298-012	SCREEN WELDMENT	



SECTION B-B



SECTION C-C



PROPRIETARY NOTICE
 THIS DRAWING IS PROPERTY OF CUSTOMDRAINS.COM & SHALL NOT BE COPIED, REPRODUCED, LENT, OR DISPOSED OF NOR USED FOR ANY OTHER PURPOSE THAN FOR WHICH IT IS SPECIFICALLY FURNISHED & MUST BE RETURNED UPON DEMAND.

DRAWN: trentf 10/10/2013
 CHECKED: _____

Pearson Potts - CustomDrains.com
 270 BELLEVUE AVE., #250, NEWPORT, RI 02840

TITLE: TRENCH DRAIN ASSEMBLY

SIZE: D DWG NO: 13298-001
 SCALE: 174.406 lbmass EA (SHEET 1 OF 1)

UNLESS OTHERWISE SPECIFIED:
 1. ALL DIMENSIONS IN INCHES
 2. DIMENSIONAL TOLERANCES:
 .X/XX ±.1/16
 .X/XXX ±0.015
 .X/XXXX ±0.005
 .X/XXXXX ±0.0005
 3. ANGULAR TOLERANCES:
 ° ±1.0°
 °/XX ±0.5°